



Lutz ME I 6 Silverstar

Your best partner
in hazardous locations



Safety is our Concern

Lutz ME I 6 Silverstar

Six times unique!

1. Solid power

Unique: Extremely rigid aluminium casing, robust high-powered motor. Approved for explosion class I, groups C and D and class II, groups F and G.

2. Easy to handle

Unique: Integral handle, weight distribution optimized for ease of handling.

3. Certified safety

Unique: Twofold North American safety certification: UL (USA) and cUL (Canada) for absolute safety and peace of mind.

4. Highly reliable

Unique: Additional dust protection for use in dusty environments. Fail-safe operation even under the toughest conditions.

5. Always the right "feeling"

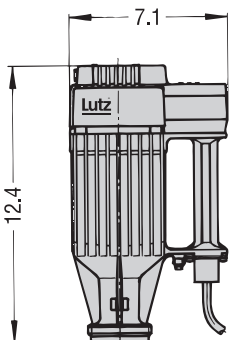
Unique: Electronic speed control to consistently ensure the right flow rate. Extra benefits: Additional safety, lower operating costs, reduced noise levels and longer operating life.

6. Technically perfect

Unique: Maintenance-free printed circuit board technology. Elimination of weak points by design, e.g. between handle and casing. Dynamically balanced rotor for quiet running and longer life.



Type	Power	Frequency	Voltage	Weight	Order No.
ME I 6	640 W	60 Hz	120 V	14.3 lbs	0040-200



Dimensions in inches

Lutz Explosion-Proof ME I 6 - 120 motor for drum and container pumps

Universal motor 120 V, 60 Hz, power input 640 W, power output 0.5 hp. The driving motor has separate on/off buttons. The Silverstar is equipped with low voltage release. This prevents automatic restart after an interruption of the electrical supply. Explosion-proof in accordance with protection class I, groups C and D and class II groups F and G. The motor is supplied with 16 ft. power cable. Optional remote operating kit available.

Safety notice (Ex) When pumping flammable liquids

- Before starting operation, the pump tube and container must be bonded and grounded.
- Use Lutz Silverstar motor only in combination with Zone 0 pump tubes made of stainless steel or Hastelloy C.
- An explosion-proof plug must be used.
- Use conductive hoses.

More value for your money ...



The Lutz SilverStar with speed control and separate ON/OFF switches for safety and ease of handling.

Feature	Function	Benefit
UL/cUL approval	Safety confirmation	Peace of mind
Dust protection	Safeguards internal elements	No external ingress
Solid cast housing	Strength and integrity	Exceptional durability
Speed controller	Speed reduction	Controlled pumping
Compact dimensions and weight optimization	Portability	Ease of handling
Low voltage release	Safety device	Operator protection
Separate ON/OFF buttons	Trouble free operation	Ease of handling
Dynamically balanced rotor	Reliability	Increased brush life
Temperature protection	Thermal overload protection	Durability
Enhanced circuitry	Printed circuit board design	No maintenance
Remote facility	Remote operation	Remote control

Always in control: Lutz remote operating kit

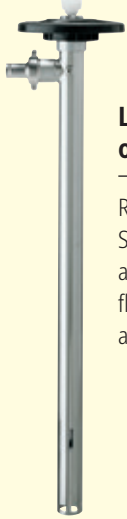
The Lutz remote operating kit enables the Lutz SilverStar to be operated remotely through a flow meter with relay module. To start the motor, the remote operating kit bridges the low voltage release. For UL approval of this option, Lutz SilverStar had to pass a series of highly stringent tests: A certification that could only be achieved by a motor of the highest quality.



Application features typical installation for operation in hazardous locations.

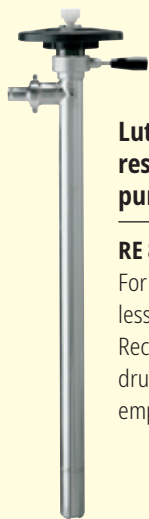
Lutz ME I 6 Silverstar

Explosion-proof pump tubes



Lutz stainless steel or Hastelloy C pump tube

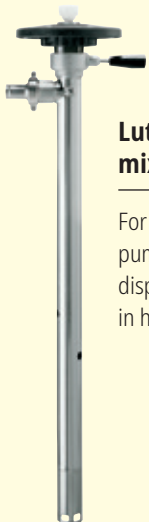
Robust, for extreme applications. Suitable for pumping nearly all kinds of liquids, including flammable and/or extremely aggressive media.



Lutz stainless steel, residual-free drainage pump tube

RE 88:

For greater safety, savings and less wasted product. Recommended wherever drums have to be completely emptied.



Lutz stainless steel mixing pump tube

For mixing, homogenization, pumping of emulsions, dispersions and suspensions in hazardous locations.

Accessories when using explosion-proof pumps in hazardous locations

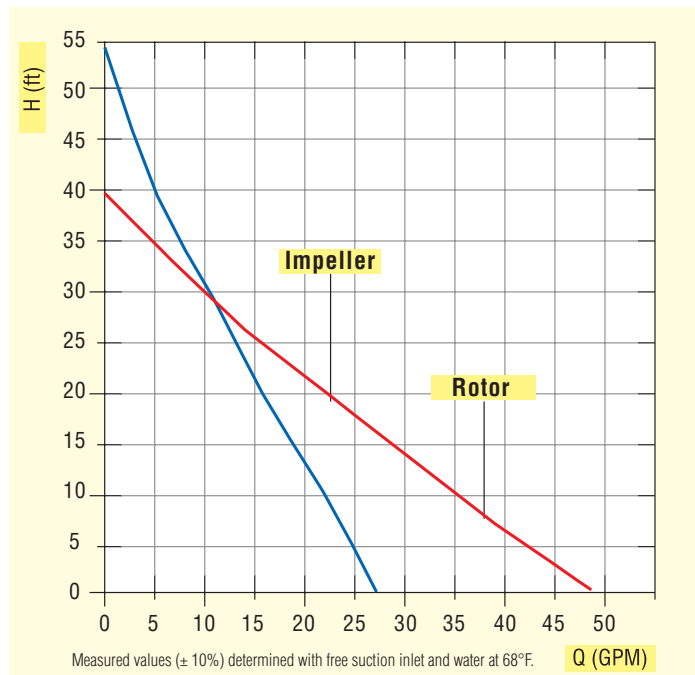
Explosion-proof plug and socket outlets, bonding and grounding cables, conductive hoses and nozzles in stainless steel.

Additional accessories:

Fume barrier, explosion-proof flow meter, stainless steel drum adapter, stainless steel foot strainer and wall bracket.

Universal applications in hazardous locations

Lutz Silverstar is your best partner when it comes to safety, productivity and performance. It is extremely well-suited for use with most thin-bodied, lightly viscous and flammable liquids. Main industries: Chemical, petrochemical, pharmaceutical, paint and varnish, processing and electroplating.



Lutz – more than 45 years experience in the North American market

Lutz is the leader in high-tech drum pump technology worldwide and the no. 1 in North America, where we have been providing solutions for more than 45 years.

One of our specialties is the development and manufacture of explosion-proof drum pump systems for hazardous locations. With over four decades of

experience and continuous innovation, Lutz has achieved an unparalleled know-how in the industry. Lutz' close cooperation with their American customers and the UL has been the basis for the satisfaction for the requirements of the most demanding market in the world.

Lutz Progressive Cavity Pump B70V-SR

Smooth pumping of highly viscous liquids



Lutz stainless steel pump tube B70V-SR

Multiple pump tubes with various flow rates and lengths are available for the Lutz B70V-SR. The speed reducer is mounted directly on the pump tube. This reduces the relatively high speeds of the universal or compressed-air motors to a suitable speed for the pump tube of around 690 rpm. Pump tube, drive shaft and eccentric screw are made of Stainless Steel (316 Ti).

Applications

For applications in the food, pharmaceutical and cosmetics industries no special shaft joint protection is needed.

Pump Tubes

Multiple pump tubes with different flow rates and lengths are available for the Lutz B70V-SR. The speed reducer is mounted directly on the pump tube. This reduces the relatively high speeds of the universal or compressed-air motors to a suitable speed of around 690 rpm. Pump tube, drive shaft and eccentric screw are made of Stainless Steel (316 Ti).

Do not run dry or against closed valve.

Tube diameter: 2.12"

Length: 39.4" or 43.3"

Drive Motors

A variety of electric and compressed-air motors are available. (see page 4)

Operating Data

Quantity: up to 13 GPM
Delivery head: up to 200 FT (87 PSI)
Temperature of medium: up to 284 °F
Viscosity: up to 50,000 cps
(with MD-2 air motor)

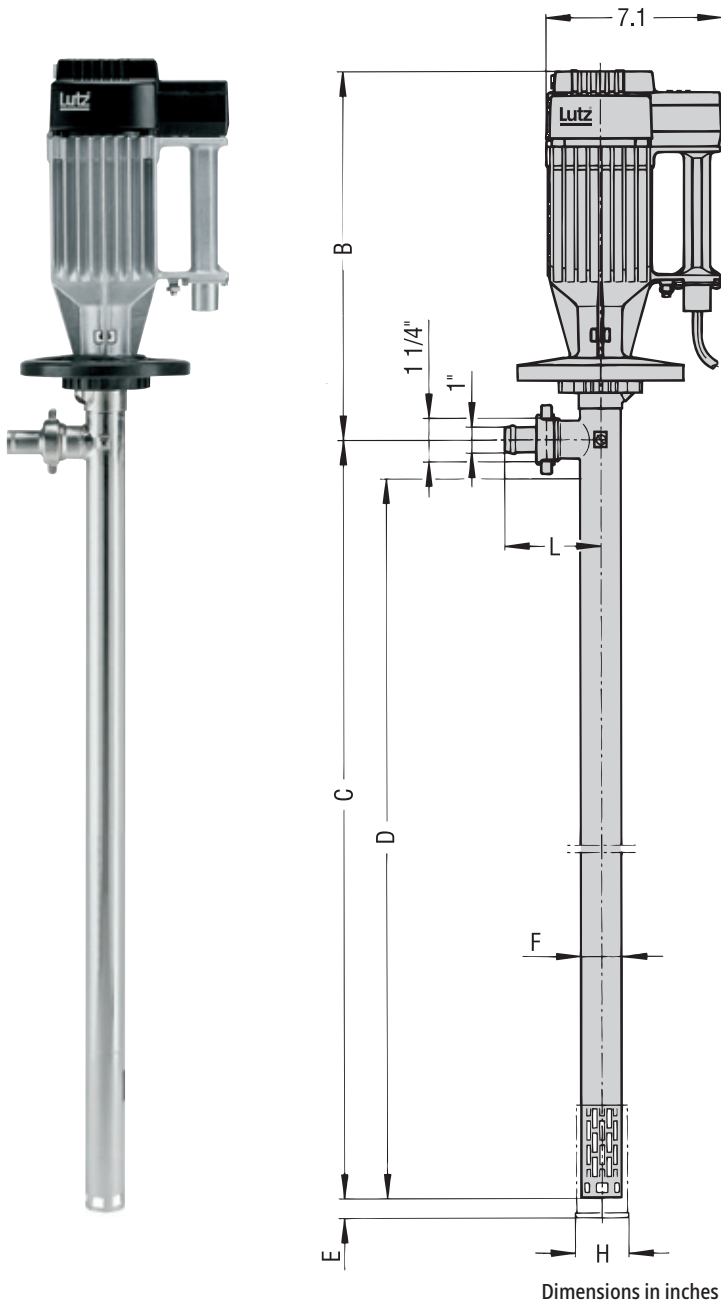
Accessories

Bypass valves, hoses, hose clips, dosing devices, electronic flow meters, batch dosing appliance with time control and other accessories are available on request.



Pump tube also available in FDA/PURE version with Tri-Clamp connection. All materials coming into contact with the pumped medium are physiologically safe. These pump tubes are mainly used in the food, cosmetics and pharmaceutical industries.

Lutz: The best choice for hazardous locations



	B		C				D				E	F	H	L
	usable length													
	27"	39"	47"	63"	27"	35"	39"	47"	63"		∅	∅		
MMS SS	14.8	27.6	39.4	47.2	-	26.0	-	37.8	45.7	-	0.9	1.6	2.2	3.9
MSL SS	14.8	27.6	39.4	47.2	62.4	26.0	-	37.8	45.7	60.9	0.9	1.6	2.2	3.9
HaStelloy C	15.1	28.0	39.2	47	-	26.4	34.3	-	46.1	-	0.9	1.5	2.2	3.6
RE 88 SS	15.8	26.8	38.6	46.5	-	25.2	-	37.0	44.9	-	0.9	1.6	2.2	3.9
MP SS	15.8	-	38.5	-	-	-	-	36.9	-	-	0.9	1.6	2.2	3.9

Motor		Silverstar ME I 6	
MMS-SS 41 R	Quantity*	Up to GPM	48.8
	Delivery head*	Up to FT	33
	Viscosity**	Up to cps	300
	Spec. gravity	Up to	1.3
	Weight lbs. †	Motor + pump tube	21
MMS-SS 41 R	Quantity*	Up to GPM	27.3
	Delivery head*	Up to FT	54
	Viscosity**	Up to cps	600
	Spec. gravity	Up to	1.7
	Weight lbs. †	Motor + pump tube	21
MMS-SS 41 L	Quantity*	Up to GPM	48.8
	Delivery head*	Up to FT	33
	Viscosity**	Up to cps	300
	Spec. gravity	Up to	1.3
	Weight lbs. †	Motor + pump tube	21
MSL-SS 41 R	Quantity*	Up to GPM	27.3
	Delivery head*	Up to FT	54
	Viscosity**	Up to cps	600
	Spec. gravity	Up to	1.7
	Weight lbs. †	Motor + pump tube	21
HaStelloy C	Quantity*	Up to GPM	26.5
	Delivery head*	Up to FT	31
	Viscosity**	Up to cps	250
	Spec. gravity	Up to	1.7
	Weight lbs. †	Motor + pump tube	21
RE 88 SS	Quantity*	Up to GPM	18.5
	Delivery head*	Up to FT	49
	Viscosity**	Up to cps	1000
	Spec. gravity	Up to	1.7
	Weight lbs. †	Motor + pump tube	21
Mixing Pump SS	Quantity*	Up to GPM	47
	Delivery head*	Up to FT	38
	Viscosity**	Up to cps	300
	Spec. gravity	Up to	1.3
	Weight lbs. †	Motor + pump tube	21

* Determined with water at 68 °F.

** Determined with oil.

*** Max. spec. gravity for sustained filling periods (> 10 min.)
Higher densities possible for shorter operating periods.

† Approx. weight depending on length of pump tube used.

Twice the competence, simply unique

Professional Fluid Management



- Drum pump sets
- Drum and container pumps
- Eccentric screw drum pumps
- Flow meter systems
- Air operated double diaphragm pumps
- Vertical and horizontal centrifugal pumps

Lutz Pumps, Inc.

1160 Beaver Ruin Road · Norcross, GA 30093 · Phone: (770) 925-1222 · (800) 843-3901
Fax: (770) 923-0334 · e-mail: info@lutzpumpsamerica.com

www.lutzpumpsamerica.com

A Measured Step Forward



- Dosing pumps and accessories
- Measuring and control technology
- System and process technology
- Chemical centrifugal pumps
- Water disinfection

Lutz-JESCO America Corp.

55 Bermar Park · Rochester, NY 14624 · Phone: (585) 426-0990, (800) 554-2762
Fax: (585) 426-4025 · e-mail: mail@lutzjescoamerica.com

www.lutzjescoamerica.com



Drum and Container Pumps · Flow Meters · Double Diaphragm Pumps

Lutz offers the optimum solution for professional Fluid Management

Lutz Pumps, Inc.

1160 Beaver Ruin Road
Norcross, GA 30093-4898
Phone: (770) 925-1222
(800) 843-3901
Fax: (770) 923-0334

www.lutzpumpsamerica.com
e-mail: info@lutzpumpsamerica.com